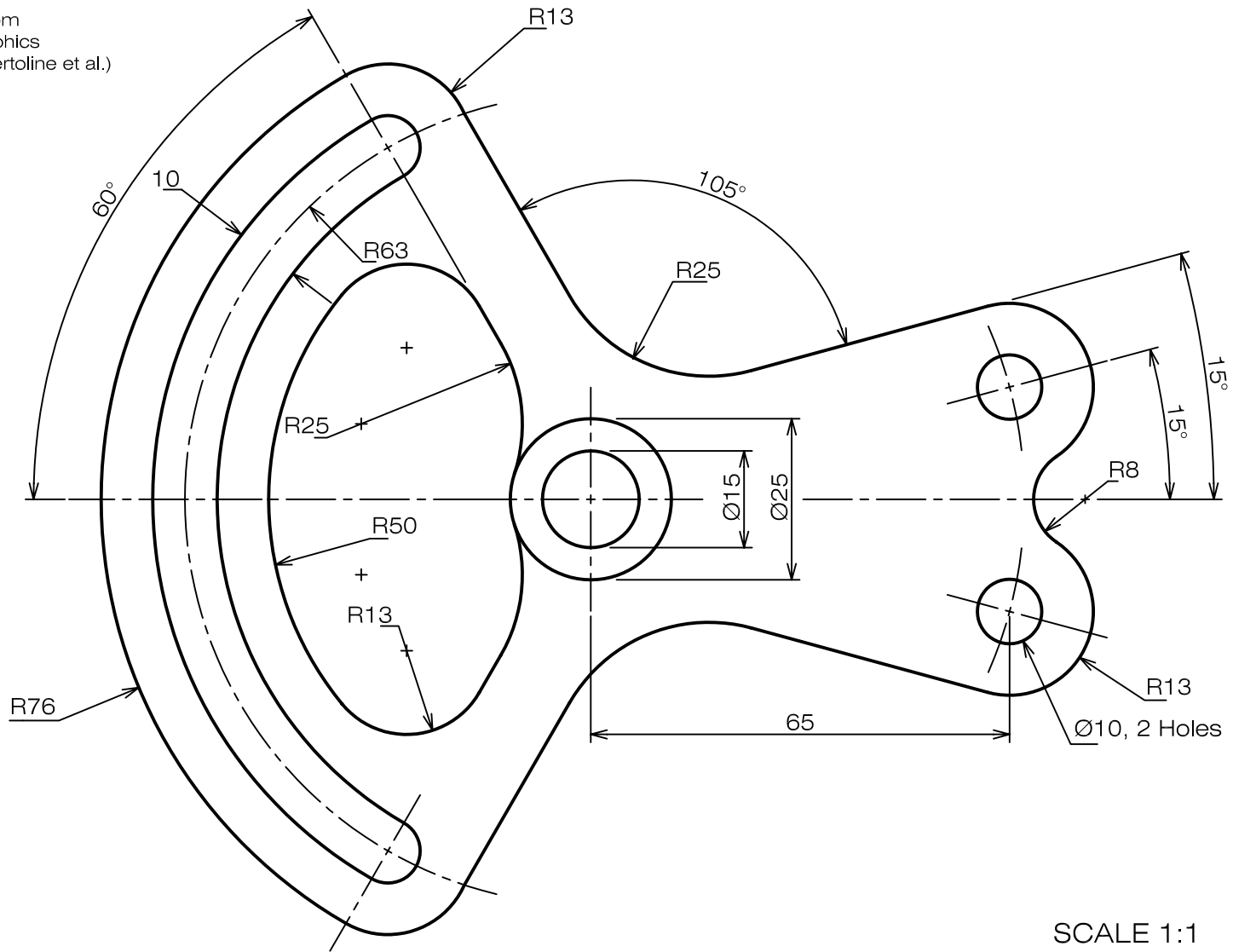


Make a drawing of the part shown below.

(Problem is adapted from
"Fundamentals of Graphics
Communication" by Bertoline et al.)



BUTTERFLY SPACER

SCALE 1:1